

# Dialight

## 860 50cd intensity LED OBSTRUCTION LIGHT



ICAO (Annex 14, July 1990)  
Netherlands 50cd spec.

### FEATURES / BENEFITS

- ▲ Unique optically designed lens to enhance LED operation and provide 360° visibility
- ▲ State-of-the-art high-flux LED technology
- ▲ Lasts years longer than an incandescent
- ▲ Weather/corrosion resistant lamp assembly and housing
- ▲ Self-contained wiring compartment eliminates additional boxes
- ▲ Threaded 1" and 3/4" bottom hub for mounting
- ▲ Can be flashed or steady burned (controller not supplied)
- ▲ 5 year warranty
- ▲ Resistant to shock and vibration

US PATENT# 6,425,678

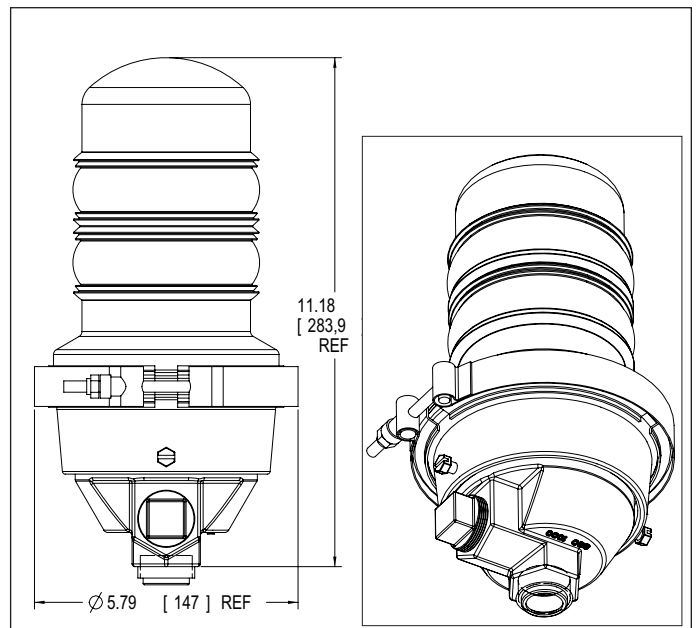
### APPLICATION

- ▲ Designed for steady burning, this fixture is used to mark any obstacle that may present hazards to aircraft navigation. The US patent office has issued patent number 6,425,678 B1 for this series.

### SPECIFICATIONS

- ▲ Operating Conditions:  
Temperature: -67°F to +131°F (-55°C to +55°C)
- ▲ Finish: Cast Aluminum with Stainless Steel Hardware
- ▲ Approximate Shipping Weight: 3.3 kg single, 7.4 kg double  
Container Dimensions: 410mm x 230mm x 205mm single  
560mm x 430mm x 230mm double
- ▲ Photometric: Minimum Intensity: 50 candelas between 5° and 10° above the Horizontal Axis
- ▲ Part Number: 860-4R02-001
- ▲ Operating Voltage (VAC) 50Hz:  
Min. 198 Nom. 230 Max. 265
- ▲ Watts (at Nom. Input Voltage): Min. 12 Typ. 14 Max. 17
- ▲ Part Numbers: **860-4R02-001 (Single Unit)**  
**860-4R02-002 (Dual Unit)**

### MECHANICAL DIMENSIONS



## PRELIMINARY

Dialight reserves the right to make changes at any time in order to supply the best product possible.

#### Dialight Ltd.

Exning Road, Newmarket, England, CB8 0AX  
Tel: +44 (0) 1638 665161 • Fax: +44 (0) 1638 561735  
www.dialight.com



#### Dialight Corporation

1501 Route 34 South • Farmingdale, NJ 07727 USA  
Tel: (1) 732-919-3119 • Fax: (1) 732-751-5778  
www.dialight.com

