

Dialight



860 SERIES LED OBSTRUCTION LIGHT



Certified to: FAA AC NO: 150/5345-43F
Canadian Aviation Regulation CAR 621.9
(Transport Canada)

Compliant to: ICAO
(Annex 25, November 2004 Fourth Edition)

FEATURES / BENEFITS

- ▲ Available as a single or dual unit
- ▲ Available in 12VDC, 24VDC, 48VDC, 120VAC, and 220VAC versions (50 or 60HZ)
- ▲ Earth grounding provisions provided
- ▲ Unique optically designed lens to enhance LED operation and provide 360° visibility
- ▲ State-of-the-art high-flux LED technology
- ▲ Lasts years longer than an incandescent
- ▲ Weather/corrosion resistant lamp assembly and housing
- ▲ Self-contained wiring compartment eliminates additional boxes
- ▲ Threaded 1" and 3/4" bottom hub for mounting
- ▲ Can be operated steady or flashed (controller not supplied)
- ▲ 5 year warranty
- ▲ Resistant to shock and vibration
- ▲ IP 66 / NEMA 4X rated

US PATENT# 6,425,678



APPLICATION

- ▲ The Dialight 860 series is the FAA type L810 red LED obstruction light. Designed for steady burning, this fixture is used to mark any obstacle that may present hazards to aircraft navigation. The US patent office has issued patent number 6,425,678 B1 for this series.

OPERATING CONDITIONS

- ▲ Temperature: -67°F to +131°F (-55°C to +55°C)

FINISH

- ▲ Cast Aluminum
- ▲ Stainless Steel Hardware



Dialight Europe Ltd.

Exning Road, Newmarket, England, CB8 0AX
Tel: +44 (0) 1638 665541 • Fax: +44 (0) 1638 561735
www.dialight-obstruction-lights.com



A Subsidiary of Dialight PLC



Dialight Corporation

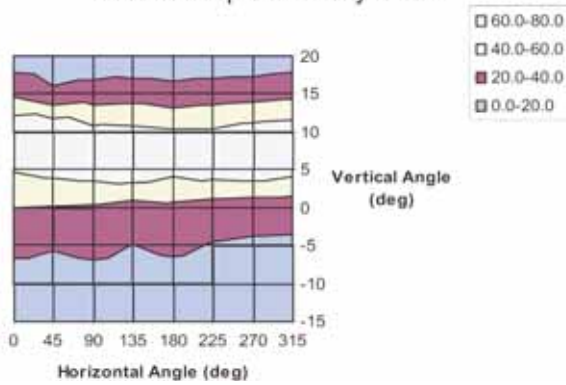
1501 Route 34 South • Farmingdale, NJ 07727 USA
Tel: (1) 732-919-3119 • Fax: (1) 732-751-5778
www.dialight.com



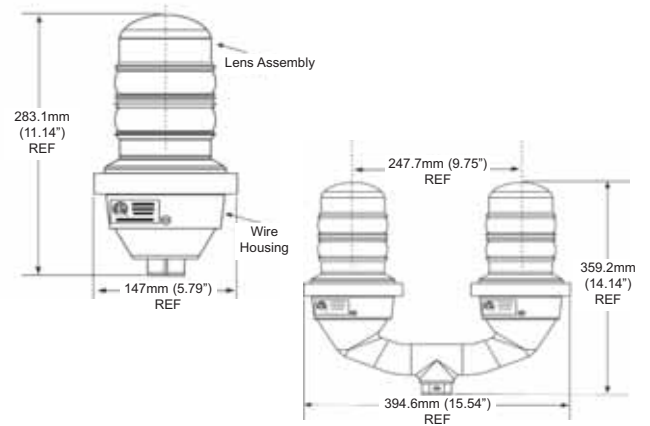
MDTF860X001_L

PHOTOMETRIC DATA

L810 Isotropic Intensity Chart



MECHANICAL DIMENSIONS



ORDERING INFORMATION

Single Units Part Number	Volts
860-1R01-001*	120 VAC
860-6R01-001**	120 VAC
860-1R02-001	220 VAC
860-1R03-001*	12 VDC
860-3R03-001 (Low wattage)	12 VDC
860-1R05-001*	24 VDC
860-6R05-001**	24 VDC
860-1R04-001*	48 VDC

Single Units Part Number	Volts
860-1R01-003*	120 VAC
860-1R02-003	220 VAC
860-1R03-003*	12 VDC
860-1R05-003*	24 VDC
860-1R04-003*	48 VDC

* FAA approved

** Canadian Spec

Dual Units Part Number	Volts
860-1R01-002*	120 VAC
860-6R01-002**	120 VAC
860-1R02-002	220 VAC
860-1R03-002*	12 VDC
860-3R03-002 (Low wattage)	12 VDC
860-1R05-002*	24 VDC
860-6R05-002**	24 VDC
860-1R04-002*	48 VDC

Replacement Light Assemblies Part Number	Volts
860-1R01	120 VAC
860-6R01**	120 VAC
860-1R02	220 VAC
860-1R03	12 VDC
860-3R03 (Low wattage)	12 VDC
860-1R05	24 VDC
860-6R05**	24 VDC
860-1R04	48 VDC

WEIGHTS & MEASUREMENTS

PART NUMBER	APPROX. SHIPPING WEIGHT	CONTAINER DIMENSIONS
Single Unit	7.14 lbs	16" x 9" x 8"
Dual Unit	16.06 lbs	22" x 17" x 9"

ELECTRICAL SPECIFICATIONS

	PF	VA	OPERATING VOLTAGE			WATTS (W)			AMPS
			Min	Typ	Max	Min	Typ	Max	
120VAC UNITS	.3	46.5	92	120	132	10	14.5	17.5	120mA
220VAC UNITS (60Hz)	.17	72	198	220	264	11	14.5	17.5	120mA
220VAC UNITS (50Hz)	-	-	198	220	264	12	14	17	-
12VDC UNITS (STANDARD)	-	-	10	12	14	20	24.5	29	2.0 A
12VDC UNITS (LOW WATTAGE)	-	-	10	12	14	7.0	7.50	8.8	.62 A
24VDC UNITS	-	-	21	24	27	17	22	29	920mA
48VDC UNITS	-	-	43	48	53	11	13.5	16	275mA

Dialight Europe Ltd.

Exning Road, Newmarket, England, CB8 0AX
 Tel: +44 (0) 1638 665541 • Fax: +44 (0) 1638 561735
www.dialight-obstruction-lights.com



A Subsidiary of Dialight PLC



Dialight Corporation

1501 Route 34 South • Farmingdale, NJ 07727 USA
 Tel: (1) 732-919-3119 • Fax: (1) 732-751-5778

www.dialight.com



MDTF860X001_L