

# Dialight

## “LED BASED” DUAL RED / WHITE MEDIUM INTENSITY BEACON



### Compliant to:

ICAO

(Annex 25, November 2004 Fourth Edition)

## FEATURES / BENEFITS

- ▲ 20,000 cd nominal daytime white and three nighttime modes; 2,000 cd white, 2,000 cd red or 170 cd red
- ▲ Capable of 10%, 30% or 100% intensity settings
- ▲ Designed to replace Dual Xenon Strobe units, Medium Intensity Type A/B
- ▲ Resistant to shock and vibration
- ▲ Universal 100/240 VAC input 50/60Hz or 24 VDC
- ▲ Can be controlled and monitored by Dialight approved, industry accepted, obstruction lighting system manufacturers
- ▲ Eliminates high voltage parts and issues associated with traditional strobes
- ▲ Dramatically reduces cable sizing requirements
- ▲ Meets or exceeds industry EMI/RFI standards
- ▲ IP66 / NEMA 4X rated

PATENT PENDING

## APPLICATION

▲ The Dialight dual beacon is the first production medium intensity Red/White beacon, utilizing state of the art optics. With the use of a simple controller, the beacon provides over 20,000 cd white for daytime use and has the following three night modes; 2,000 cd white, 2,000 cd red or 170 cd red. Its advanced passive temperature management system maintains the LEDs well within their temperature tolerance in all operating conditions. The beacon has a micro-processor controlled driver and a default flash mode if it loses communication with the controller.

## SPECIFICATIONS

- ▲ **Operating Voltage** : 100 - 240 VAC, 50 - 60 Hz or 24 VDC
- ▲ **Lightsource** : LEDs > 10+ year life expectancy
- ▲ **Effective Intensity** : 20,000 cd white  $\pm$  25% in daytime mode, 2,000 cd white  $\pm$  25% in nighttime mode, 2,000 cd or 170 cd red  $\pm$  25% in nighttime mode
- ▲ **Operating Temperature** = -40°C to +55°C
- ▲ **Storage Temperature** = -55°C to +55°C
- ▲ **Surge / Lighting Protection** : Designed to withstand IEC61000-4-5, 6kV/3000A, 1.2/50us, 8/20us, 2 ohm output impedance, combination wave, line-line and line-ground minimums
- ▲ **Flash Rate** : 20 fpm

### Dialight Europe Ltd.

Exning Road, Newmarket, England, CB8 0AX

Tel: +44 (0) 1638 666541 • Fax: +44 (0) 1638 561735

[www.dialight-obstruction-lights.com](http://www.dialight-obstruction-lights.com)



A Subsidiary of Dialight PLC



### Dialight Corporation

1501 Route 34 South • Farmingdale, NJ 07727 USA

Tel: (1) 732-919-3119 • Fax: (1) 732-751-5778

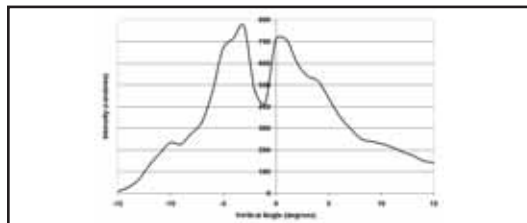
[www.dialight.com](http://www.dialight.com)



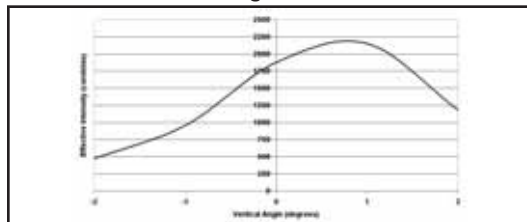
MDTFD265EU001\_E

## PHOTOMETRIC DATA

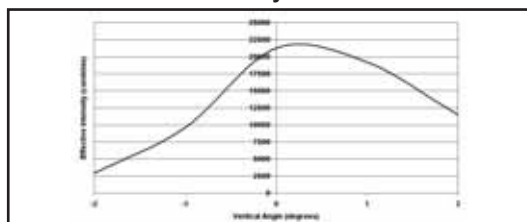
Red 170cd



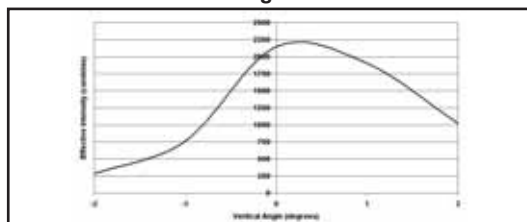
Red Night Time



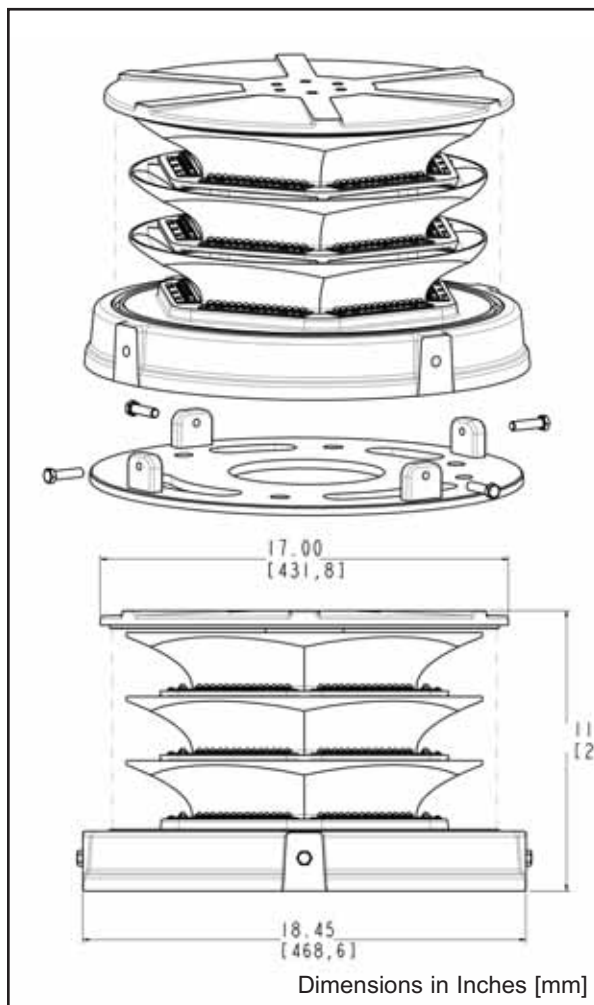
White Day Time



White Night Time



## MECHANICAL DIMENSIONS



Dimensions in Inches [mm]

## ORDERING INFORMATION

Product	Description
D1RW-C13-006-EU	Dual red/white Beacon, 120/240 VAC (ICAO only)
D1RW-G13-006-EU	Dual red/white Beacon, 170cd red 120/240 VAC (ICAO only)
D1RW-C15-006-EU	Dual red/white Beacon, 24 VDC (ICAO only)
D1RW-G15-006-EU	Dual red/white Beacon, 170cd red 24 VDC (ICAO only)

## UNIT ELECTRICAL SPECIFICATIONS

	SUPPLY VOLTAGE (+/- 15%)		WATTS			VA		
	Min	Max	Min	Nom	Max	Min	Nom	Max
<b>White</b> (20 fpm) VAC	100	240	80	96	101	81	98	103
<b>White</b> (20 fpm) VDC	24			106				
<b>Red</b> (Steady Burning 170 cd) VAC	100	240	49	61	65	50	63	67
<b>Red</b> (Steady Burning 170 cd) VDC	24			67				

## WEIGHTS

Flash Head	Approx 20 Kg (44 lbs)
------------	-----------------------

### Dialight Europe Ltd.

Exning Road, Newmarket, England, CB8 0AX  
 Tel: +44 (0) 1638 666541 • Fax: +44 (0) 1638 561735  
 www.dialight-obstruction-lights.com  
  
 A Subsidiary of Dialight PLC



### Dialight Corporation

1501 Route 34 South • Farmingdale, NJ 07727 USA  
 Tel: (1) 732-919-3119 • Fax: (1) 732-751-5778  
 www.dialight.com  
  
 MDTFD265EU001\_E